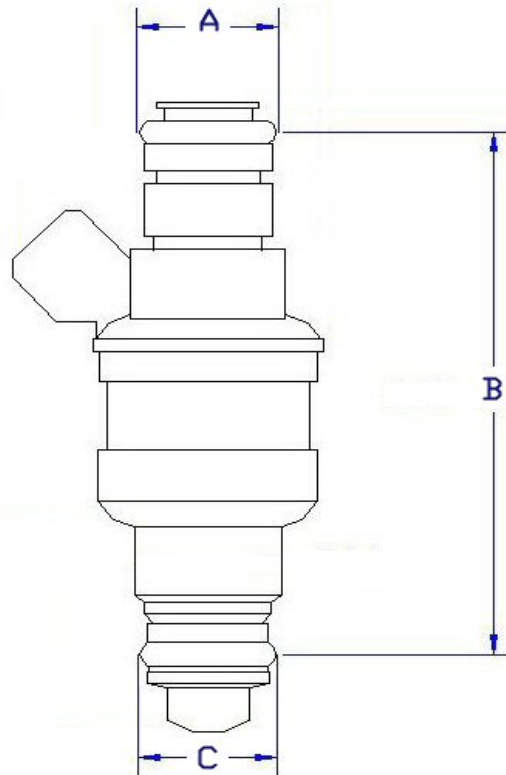


52lb/hr (550 cc/min) low impedance injector. Fits most domestic/European applications.

Technical Specifications		
Flow Rate, lb/hr	52	
Flow Rate, cc/min	550	
Impedance	Low (NOTE: May not work with factory ECU).	
Connector Style	Rectangular (minitimer)	
Dimensions*		
A (upper o-ring)	0.550 inch 14 mm	
B (o-ring to o-ring length)	2.5 inch 63.5 mm	
C (lower o-ring)	0.550 inch 14 mm	
Recommended accessories	<b>Component</b> <b>P/N</b>	
	Connector w/ wires:	0810
	Connector only:	0811
	Lower mounting boss:	0901
	Seal kit, w/ filter	1402
	Seal kit, w/o filter	1401



\*Dimensions given are nominal and may vary slightly. For reference purposes only.

## **marren** fuel injection

91 Willenbrock Road, Unit B2  
 Oxford, CT 06478  
 203-267-FUEL (3835)  
[www.injector.com](http://www.injector.com)

**marren**