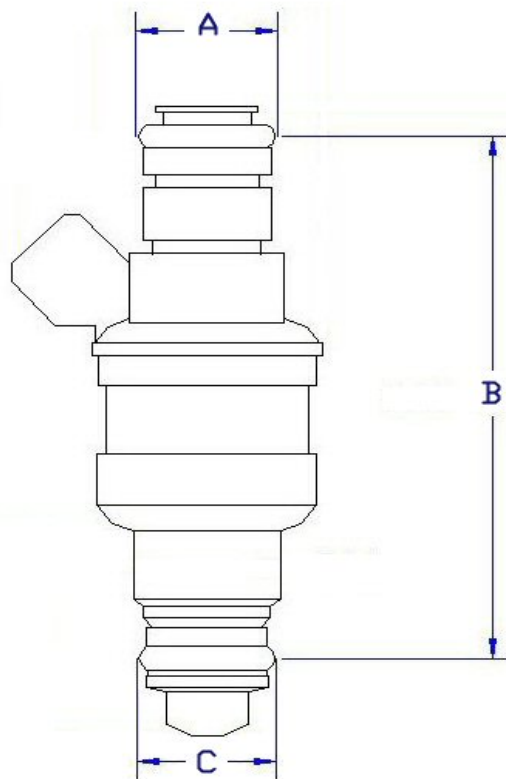


30 lb/hr (200 cc/min) Injector

0530L

30lb/hr (315 cc/min) low impedance injector. Fits most domestic/European applications.

Technical Specifications			
Flow Rate, lb/hr	30		
Flow Rate, cc/min	315		
Impedance	Low (NOTE: May not work with factory ECU).		
Connector Style	Rectangular (minitimer)		
Dimensions*			
A (upper o-ring)	0.550 inch	14 mm	
B (o-ring to o-ring length)	2.5 inch	63.5 mm	
C (lower o-ring)	0.550 inch	14 mm	
Recommended accessories	Component	P/N	
	Connector w/ wires:	0810	
	Connector only:	0811	
	Lower mounting boss:	0901	
	Seal kit, w/ filter	1402	
Seal kit, w/o filter	1401		



*Dimensions given are nominal and may vary slightly. For reference purposes only.

marren fuel injection

91 Willenbrock Road, Unit B2
Oxford, CT 06478
203-267-FUEL (3835)
www.injector.com

marren