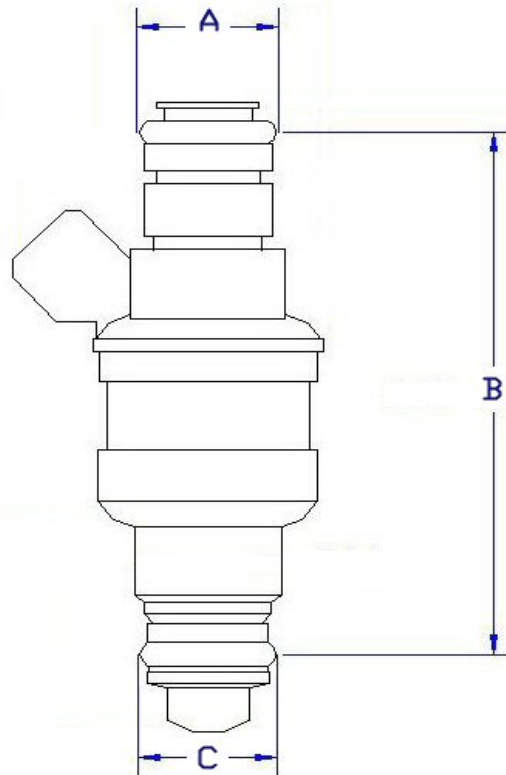


30lb/hr (315 cc/min) high impedance injector. Fits most domestic/European applications.

Technical Specifications			
Flow Rate, lb/hr	30		
Flow Rate, cc/min	315		
Impedance	High		
Connector Style	Rectangular (minitimer)		
Dimensions*			
A (upper o-ring)	0.550 inch	14 mm	
B (o-ring to o-ring length)	2.5 inch	63.5 mm	
C (lower o-ring)	0.550 inch	14 mm	
Recommended accessories	Component	P/N	
	Connector w/ wires:	0810	
	Connector only:	0811	
	Lower mounting boss:	0901	
	Seal kit, w/ filter	1402	
	Seal kit, w/o filter	1401	



\*Dimensions given are nominal and may vary slightly. For reference purposes only.

## **marren** fuel injection

91 Willenbrock Road, Unit B2  
 Oxford, CT 06478  
 203-267-FUEL (3835)  
[www.injector.com](http://www.injector.com)

**marren**